

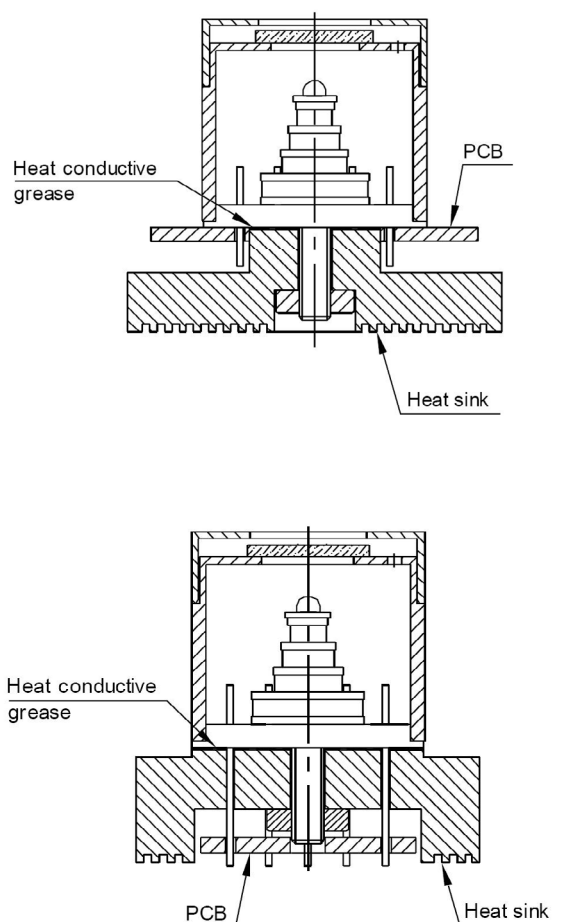
Heat sinking

Suitable heat sinking is necessary to dissipate heat generated by the Peltier cooler or excessive optical irradiation. Since heat is almost 100% dissipated at the base of the detector header, it must be firmly attached to the heat sink.

A thin layer of heat conductive epoxy or silicon (thermal) grease should be used to improve thermal contact between the detector header and the heat sink to maximize heat transfer. Heat sinking via the detector cylindrical cap or via the mounting screw is not sufficient.

A heatsink thermal resistance of ~ 2 K/W is typically recommended for the most 2TE and 3TE coolers. For 4TE cooler, heatsink thermal resistance ~ 1 K/W is recommended.

Correct heatsink placement



Incorrect heatsink placement

