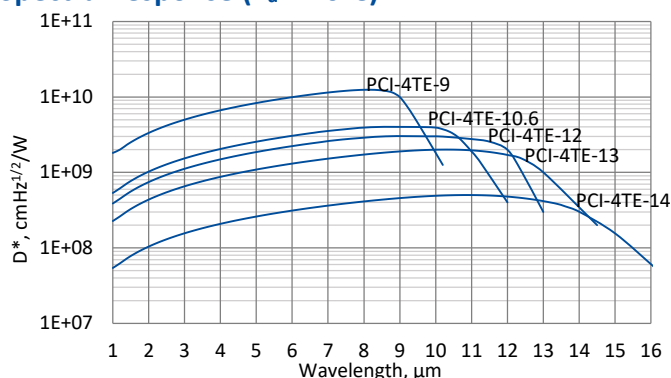


PCI-4TE series

1 – 16 μm HgCdTe four-stage thermoelectrically cooled, optically immersed photoconductive detectors

PCI-4TE series features four-stage thermoelectrically cooled IR photoconductive detectors based on sophisticated HgCdTe heterostructures for the best performance and stability, optically immersed in order to improve parameters of the devices. The detectors are optimized for the maximum performance at λ_{opt} . Cut-on wavelength is limited by GaAs transmittance ($\sim 0.9 \mu\text{m}$). The devices should operate in optimum bias voltage and current readout mode. Performance at low frequencies is reduced due to $1/f$ noise. The $1/f$ noise corner frequency increases with the cut-off wavelength. 3° wedged zinc selenide anti-reflection coated (wZnSeAR) window prevents unwanted interference effects.

Spectral response ($T_a = 20^\circ\text{C}$)



Exemplary spectral detectivity, the spectral response of delivered devices may differ.

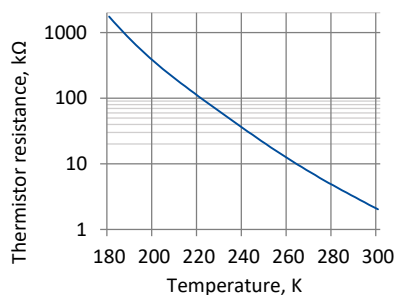
Specification ($T_a = 20^\circ\text{C}$)

Parameter	Detector type				
	PCI-4TE-9	PCI-4TE-10.6	PCI-4TE-12	PCI-4TE-13	PCI-4TE-14
Active element material	epitaxial HgCdTe heterostructure				
Optimal wavelength λ_{opt} , μm	9.0	10.6	12.0	13.0	14.0
Detectivity $D^*(\lambda_{\text{peak}}, 20\text{kHz})$, $\text{cm}\cdot\text{Hz}^{1/2}/\text{W}$	$\geq 1.25 \times 10^{10}$	$\geq 4.0 \times 10^9$	$\geq 3.0 \times 10^9$	$\geq 2.0 \times 10^9$	$\geq 5.0 \times 10^8$
Detectivity $D^*(\lambda_{\text{opt}}, 20\text{kHz})$, $\text{cm}\cdot\text{Hz}^{1/2}/\text{W}$	$\geq 1.0 \times 10^{10}$	$\geq 3.0 \times 10^9$	$\geq 2.0 \times 10^9$	$\geq 1.0 \times 10^9$	$\geq 3.0 \times 10^8$
Current responsivity-optical area length product $R_i(\lambda_{\text{opt}}) \cdot L_o$, $\text{A}\cdot\text{mm}/\text{W}$	≥ 0.9	≥ 0.2	≥ 0.09	≥ 0.05	≥ 0.03
Time constant τ , ns	≤ 80	≤ 30	≤ 7	≤ 6	≤ 5
$1/f$ noise corner frequency f_c , Hz	$\leq 10\text{k}$		$\leq 20\text{k}$		
Bias voltage-optical area length ratio V_b/L_o , V/mm	≤ 0.3		≤ 0.24		≤ 0.18
Resistance R , Ω	≤ 500		≤ 400		≤ 300
Active element temperature T_{det} , K			~ 195		
Optical area A_o , $\text{mm}\times\text{mm}$			0.5×0.5, 1×1, 2×2		
Package			TO8, TO66		
Acceptance angle Φ			$\sim 36^\circ$		
Window			wZnSeAR		

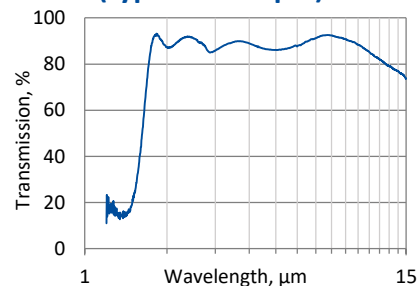
Four-stage thermoelectric cooler parameters

Parameter	Value
T_{det} , K	~ 195
V_{max} , V	8.3
I_{max} , A	0.4
Q_{max} , W	0.28

Thermistor characteristics

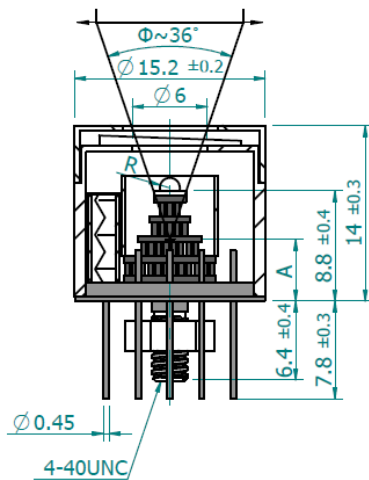


Spectral transmission of wZnSeAR window (typical example)



Mechanical layout, mm

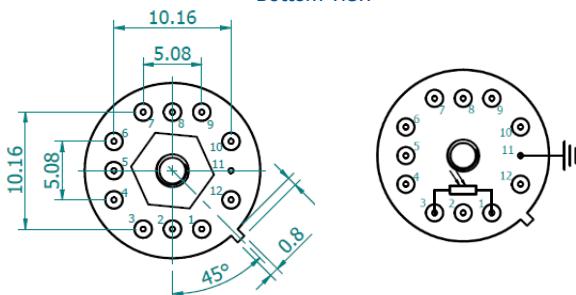
4TE-T08 package



Parameter	Value
Immersion microlens shape	hyperhemisphere
Optical area A_0 , mm×mm	0.5×0.5 1×1 2×2
R, mm	0.5 0.8 1.25
A, mm	7.3±0.4 6.4±0.4 5.0±0.4

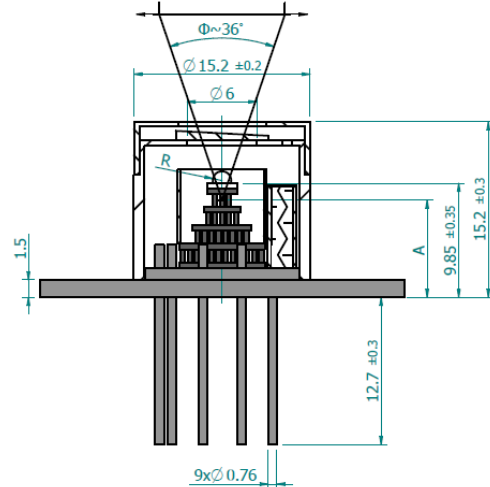
Φ – acceptance angle
 R – hyperhemisphere microlens radius
 A – distance from the bottom of 4TE-T08 header to the focal plane

Bottom view



Function	Pin number
Detector	1, 3
Thermistor	7, 9
TE cooler supply	2(+), 8(-)
Chassis ground	11
Not used	4, 5, 6, 10, 12

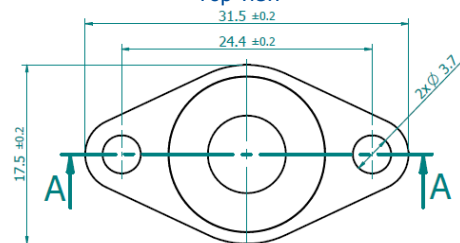
4TE-T066 package



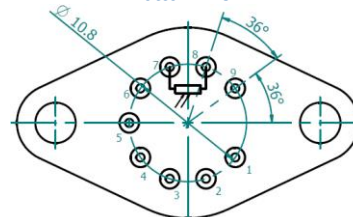
Parameter	Value
Immersion microlens shape	hyperhemisphere
Optical area A_0 , mm×mm	0.5×0.5 1×1 2×2
R, mm	0.5 0.8 1.25
A, mm	8.35±0.40 7.45±0.40 6.1±0.4

Φ – acceptance angle
 R – hyperhemisphere microlens radius
 A – distance from the bottom of 4TE-T066 header to the focal plane

Top view



Bottom view



Function	Pin number
Detector	7, 8
Thermistor	5, 6
TE cooler supply	1(+), 9(-)
Not used	2, 3, 4

Dedicated preamplifiers



„all-in-one“ AIP



programmable PIP



standard MIP



small SIP-T08