



Description

The **MPPS-01** preamplifier linear power supply is designed for supplying VIGO System IR Detection Modules included uncooled and cooled (operate with MTCC-01 controllers) IR detectors.

Features

- Provides low noise preamplifier linear power supply
- Dedicated for supplying uncooled and cooled IR detectors
- Easy to use

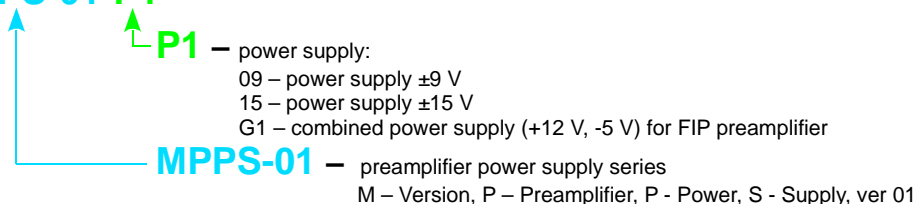
Preamplifier Power Supply Specification

Parameter	Unit	Value	Conditions, Remarks
Power Supply Voltage V_{sup}	V AC	(100 ÷ 127) to (200 ÷ 240)	50 to 60 Hz
Output Voltage	V DC	±15 ±9 +12, -5	
Output Current	mA	±500	
Dimensions	mm×mm×mm	109×65×175	width×height×depth
Weight	kg	1.3	

Electrical characteristics @ $T_a = 20\text{ }^\circ\text{C}$

Preamplifier Power Supply Code Description

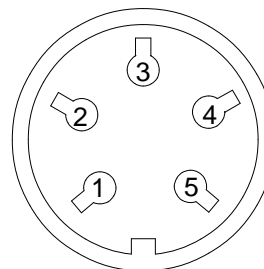
MPPS-01-P1



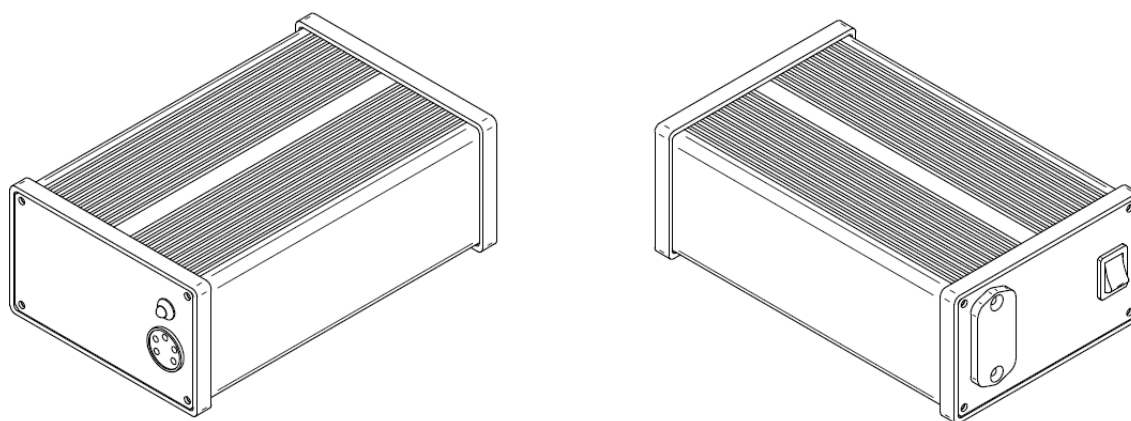
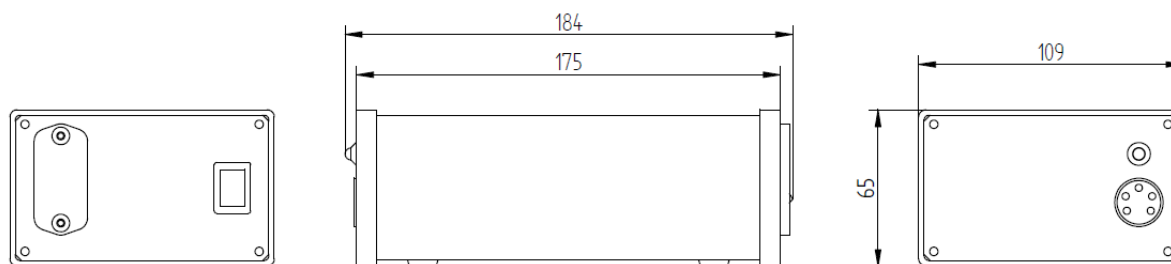
Power Supply Connector

Pin Number	Symbol	Function
1	TEC-	TEC supply output (-)
2	+ V_{sup}	power supply output (+)
3	GND	power ground
4	- V_{sup}	power supply output (-)
5	TEC+	TEC supply output (+)

MIC5 Connector Female



Physical Dimensions [mm]



Recommended Accessories

AMP2x4-MIC5	LEMO-MIC5	AMP1x6-MIC5	Power Cable EU	Power Cable UK
Power Supply Cable	Power Supply Cable	Power Supply Cable	Power Cable	Power Cable

Power Cable US



Power Cable